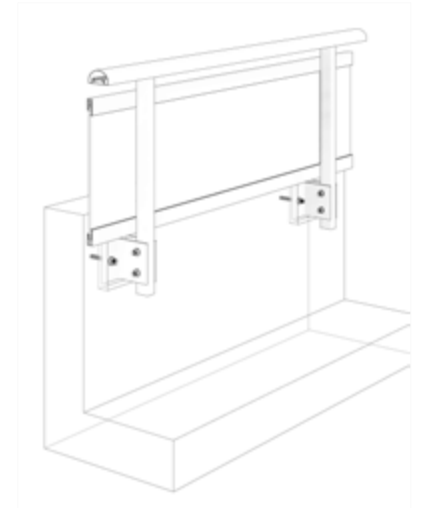


RR-60 TOP RAIL

PARAPET RAILING SECTION



Notes:

1. Installation to be completed in accordance with manufacturer specifications.
2. Do not scale drawings.
3. Contractor notes: For product and company information visit Regalaluminum.com

FULL ALUMINUM PANEL RAILING RR-60 DETAIL

Manufacturer: Regal Aluminum Windows and Railings

Project: General

Regal Product Reference: RRFP0901

Drawing Type: Category

Drawing reference: RRFP0901

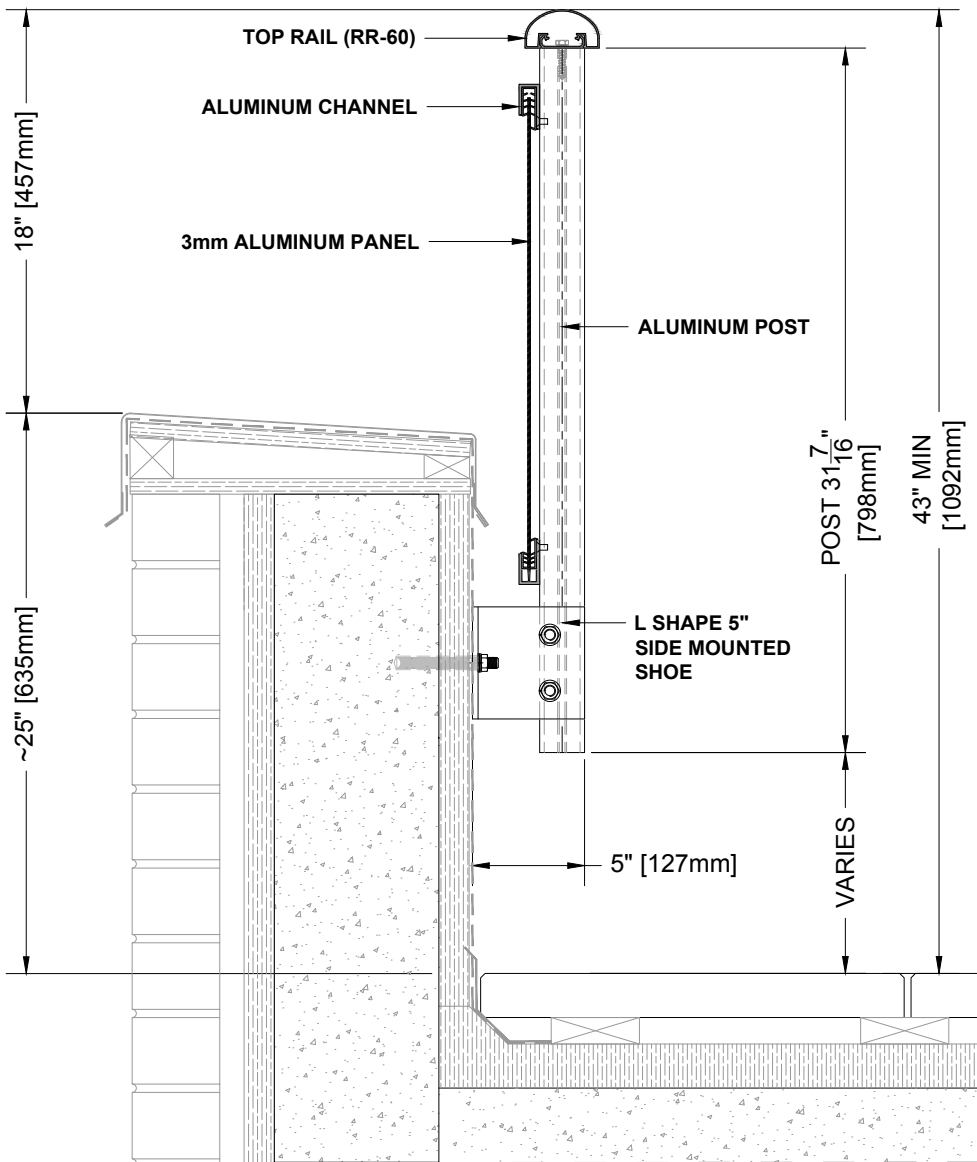
Date: 29/08/2020



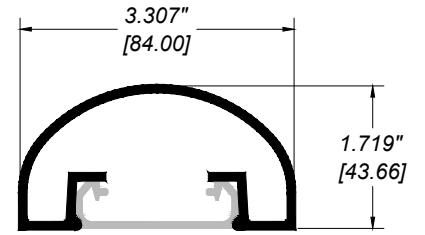
REGAL

177 Drumlin Circle, Concord, ON L4K 3E7
T. 905-738-4375 • 1-800-732-3339

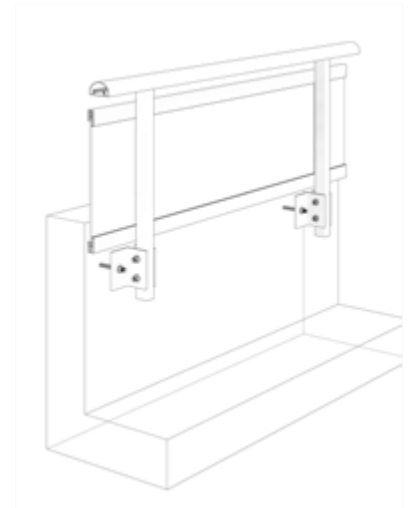
regalaluminum.com | sales@regalaluminum.com



PARAPET RAILING SECTION



RR-60 TOP RAIL



Notes:

1. Installation to be completed in accordance with manufacturer specifications.
2. Do not scale drawings.
3. Contractor notes: For product and company information visit Regalaluminum.com

FULL ALUMINUM PANEL RAILING RR-60 DETAIL

Manufacturer: Regal Aluminum Windows and Railings

Project: General

Regal Product Reference: RRFP0901

Drawing Type: Category

Drawing reference: RRFP0901

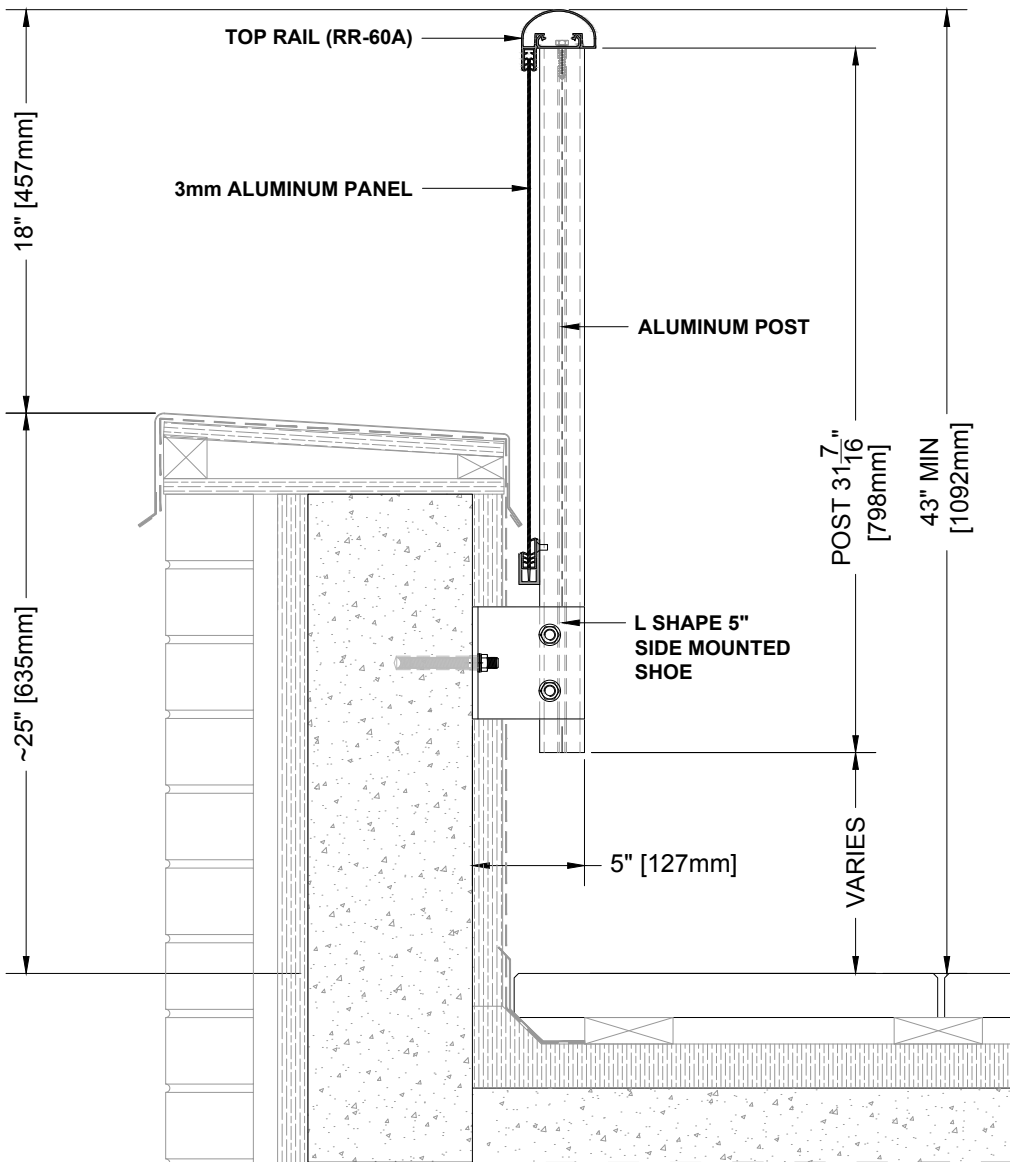
Date: 29/08/2020



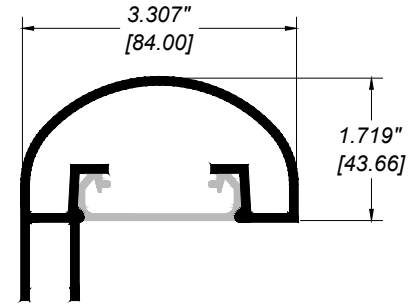
REGAL

177 Drumlin Circle, Concord, ON L4K 3E7
T. 905-738-4375 • 1-800-732-3339

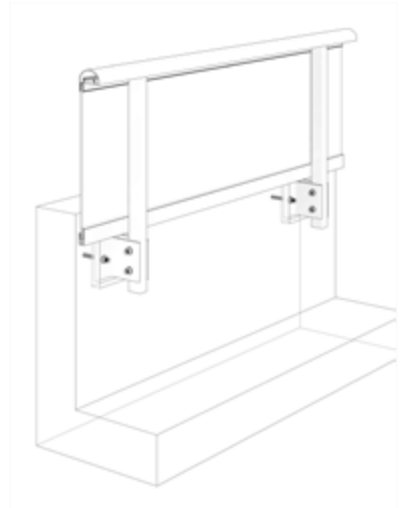
regalaluminum.com | sales@regalaluminum.com



PARAPET RAILING SECTION



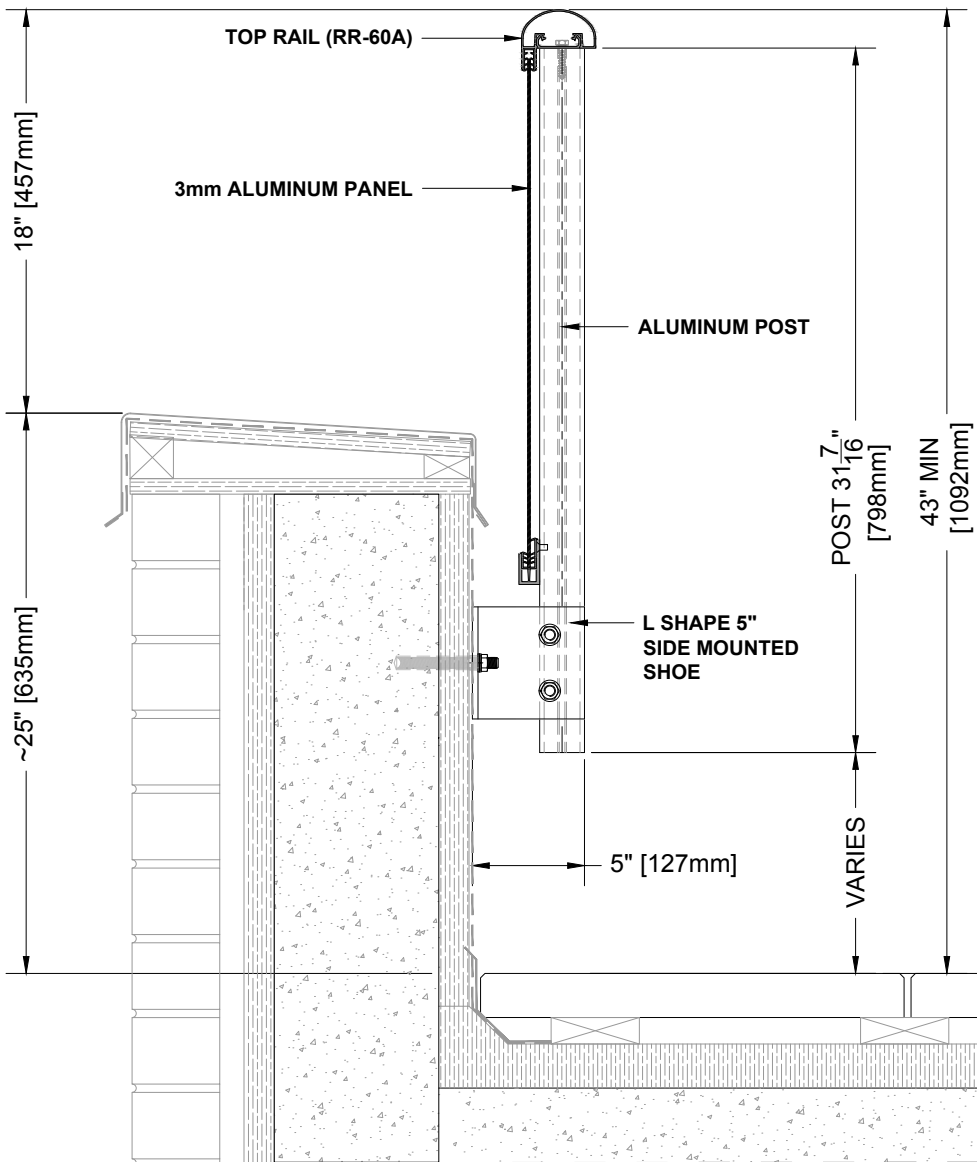
RR-60A TOP RAIL



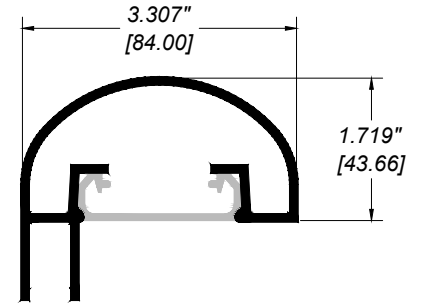
- Notes:
1. Installation to be completed in accordance with manufacturer specifications.
 2. Do not scale drawings.
 3. Contractor notes: For product and company information visit Regalaluminum.com

FULL ALUMINUM PANEL RAILING RR-60A DETAIL	
Manufacturer: Regal Aluminum Windows and Railings	
Project: General	
Regal Product Reference: RRFP0902	Drawing Type: Category
Drawing reference: RRFP0902	Date: 29/08/2020

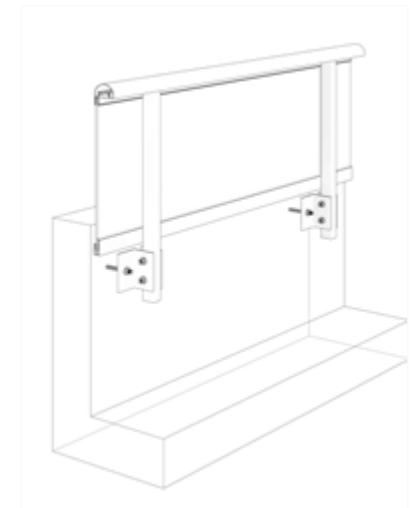
177 Drumlin Circle, Concord, ON L4K 3E7
 T. 905-738-4375 • 1-800-732-3339
regalaluminum.com | sales@regalaluminum.com



PARAPET RAILING SECTION



RR-60A TOP RAIL



Notes:

1. Installation to be completed in accordance with manufacturer specifications.
2. Do not scale drawings.
3. Contractor notes: For product and company information visit Regalaluminum.com

FULL ALUMINUM PANEL RAILING RR-60A DETAIL

Manufacturer: Regal Aluminum Windows and Railings

Project: General

Regal Product Reference: RRFP0902

Drawing Type: Category

Drawing reference: RRFP0902

Date: 29/08/2020



REGAL

177 Drumlin Circle, Concord, ON L4K 3E7
T. 905-738-4375 • 1-800-732-3339

regalaluminum.com | sales@regalaluminum.com