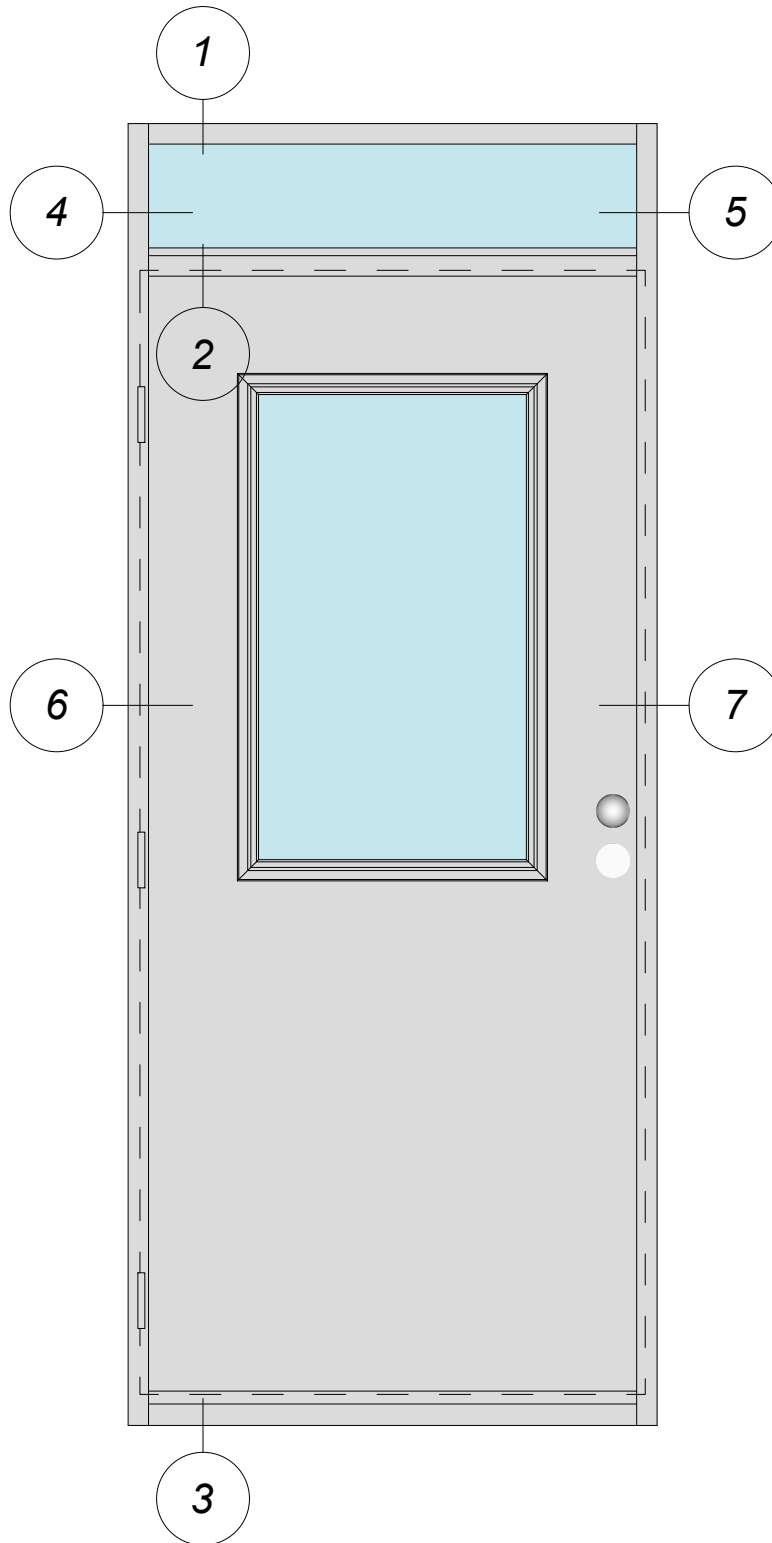


# REGAL DOOR-INSWING-TRANSOM-2236-LITE

## OUTSIDE ELEVATION



### THERMALLY-BROKEN ALUMINUM FRAME + STEEL INSULATED SLAB

Manufacturer: Regal Aluminum Windows and Railings

Series: AD-5000

Name: (AD115) Inswing Door & Transom-2236-Lite

Drawing reference: AD115-01

Project: REGAL AD

Drawing Type: Category

Date: 26/11/2020



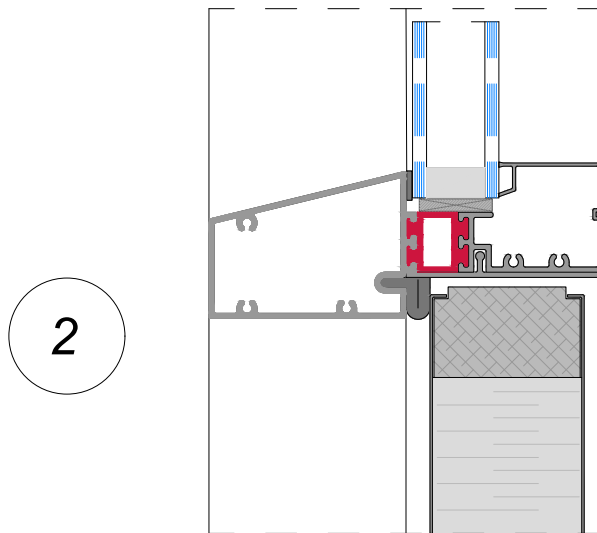
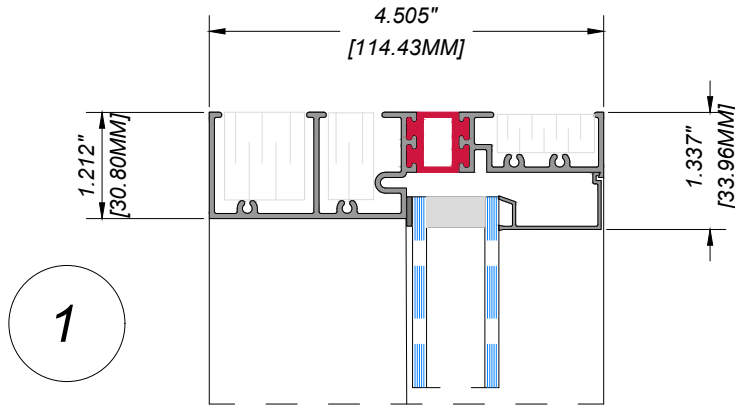
177 Drumlin Circle, Concord, ON L4K 3E7  
T. 905-738-4375 • 1-800-732-3339

[regalaluminum.com](http://regalaluminum.com) | [sales@regalaluminum.com](mailto:sales@regalaluminum.com)

# REGAL DOOR-INSWING-TRANSOM-2236-LITE

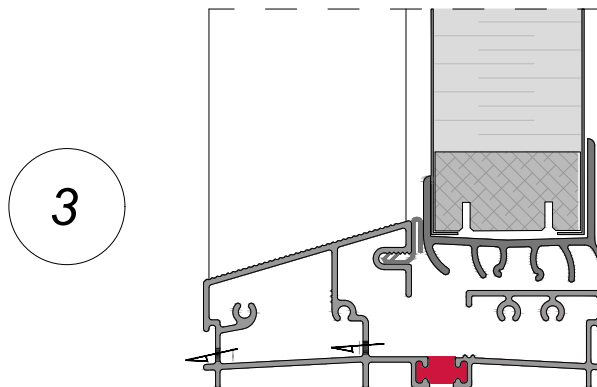
## HEAD, TRANSOM & SILL DETAILS

VERTICAL  
SECTION



OUT

IN



### THERMALLY-BROKEN ALUMINUM FRAME + STEEL INSULATED SLAB

Manufacturer: Regal Aluminum Windows and Railings

Series: AD-5000

Project: REGAL AD

Name: (AD115) Inswing Door & Transom-2236-Lite

Drawing Type: Category

Drawing reference: AD115-02

Date: 26/11/2020



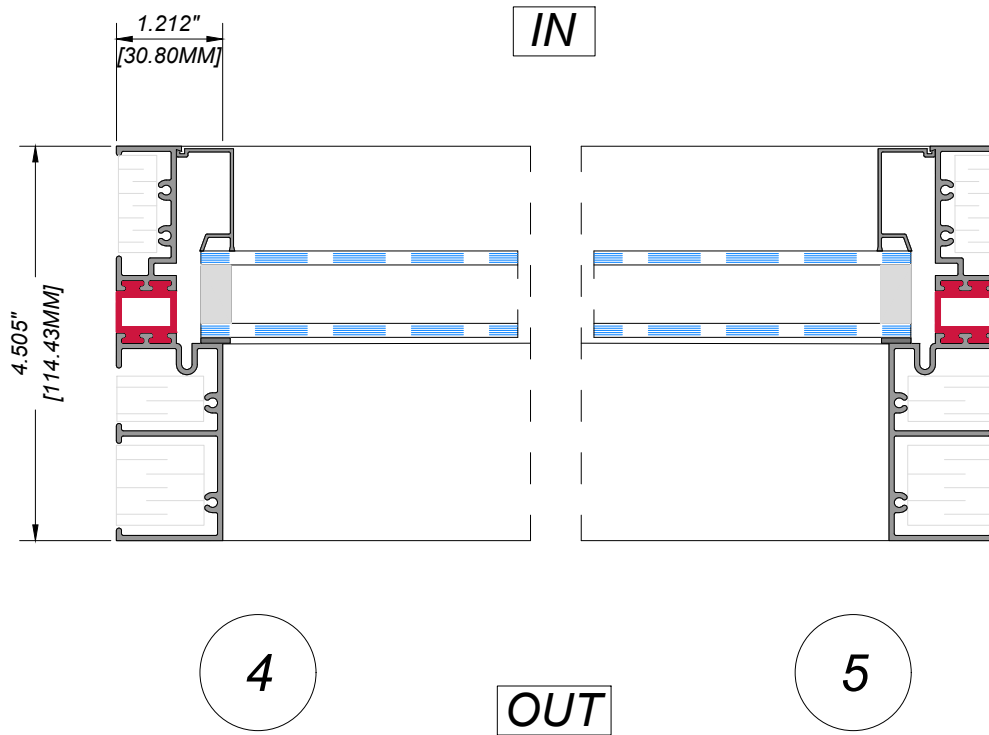
177 Drumlin Circle, Concord, ON L4K 3E7  
T. 905-738-4375 • 1-800-732-3339

regalaluminum.com | sales@regalaluminum.com

# REGAL DOOR-INSWING-TRANSOM-2236-LITE

## TRANSOM SASH DETAILS

HORIZONTAL  
SECTION



### THERMALLY-BROKEN ALUMINUM FRAME + STEEL INSULATED SLAB

Manufacturer: Regal Aluminum Windows and Railings

Series: AD-5000

Project: REGAL AD

Name: (AD115) Inswing Door & Transom-2236-Lite

Drawing Type: Category

Drawing reference: AD115-03

Date: 26/11/2020



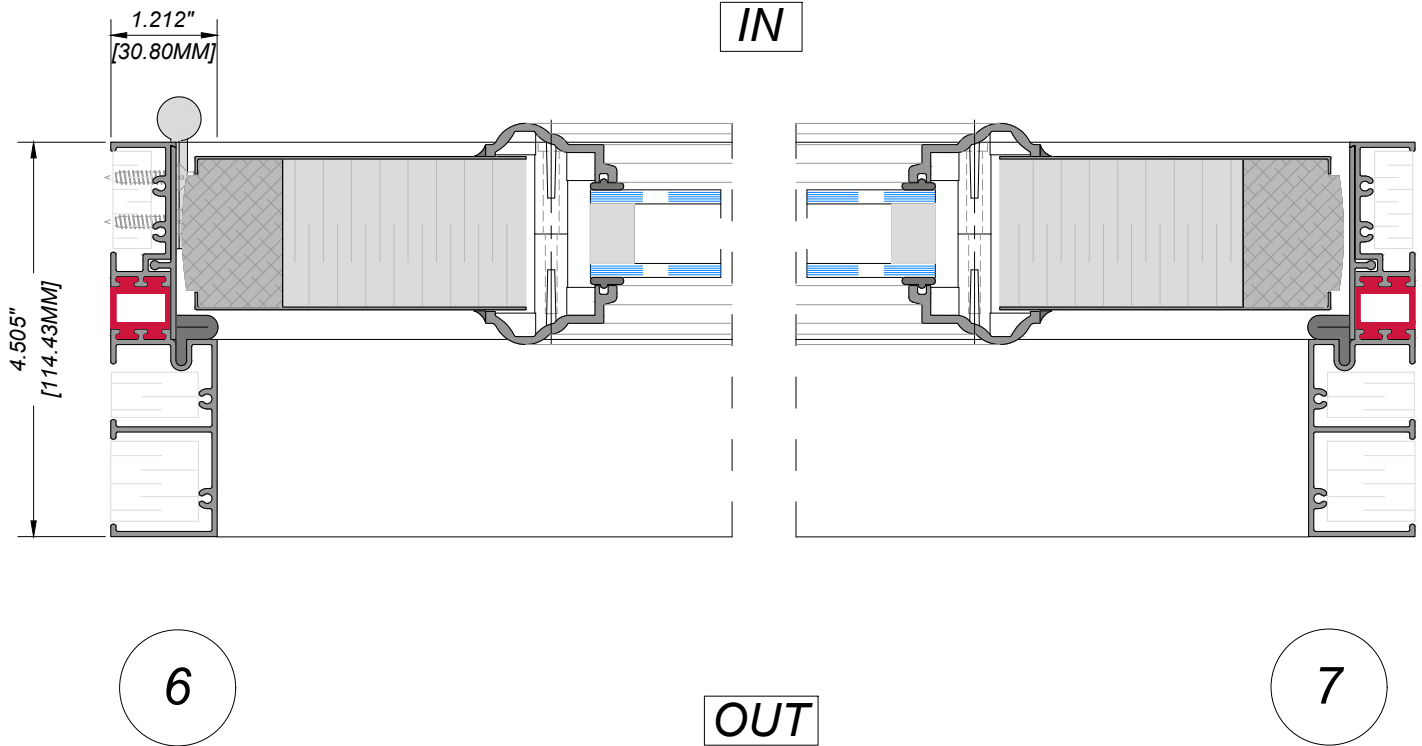
177 Drumlin Circle, Concord, ON L4K 3E7  
T. 905-738-4375 • 1-800-732-3339

[regalaluminum.com](http://regalaluminum.com) | [sales@regalaluminum.com](mailto:sales@regalaluminum.com)

# REGAL DOOR-INSWING-TRANSOM-2236-LITE

## JAMB DOOR DETAILS

## HORIZONTAL SECTION



### THERMALLY-BROKEN ALUMINUM FRAME + STEEL INSULATED SLAB

Manufacturer: Regal Aluminum Windows and Railings

Series: AD-5000

Project: REGAL AD

Name: (AD115) Inswing Door & Transom-2236-Lite

Drawing Type: Category

Drawing reference: AD115-04

Date: 26/11/2020



177 Drumlin Circle, Concord, ON L4K 3E7  
T. 905-738-4375 • 1-800-732-3339

[regalaluminum.com](http://regalaluminum.com) | [sales@regalaluminum.com](mailto:sales@regalaluminum.com)