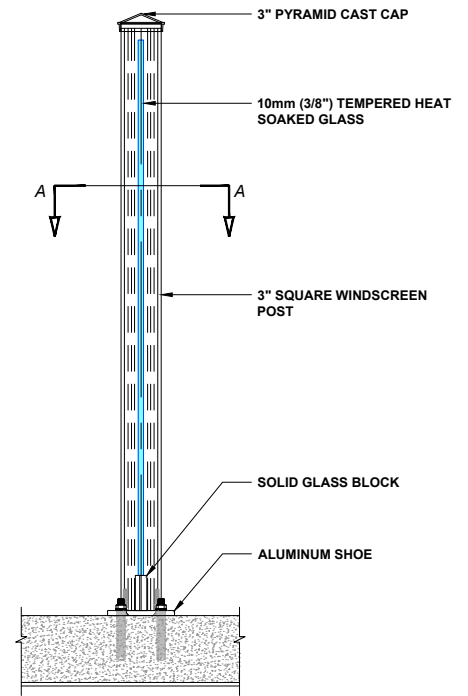
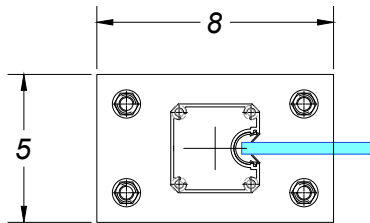


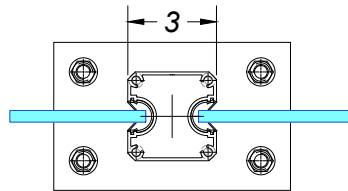
ELEVATION FOR GLASS WINDSCREEN SYSTEMS



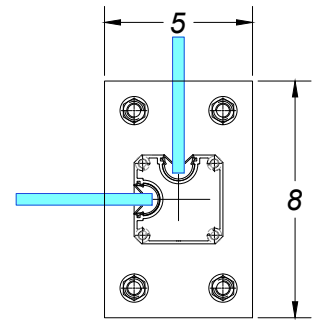
GLASS WINDSCREEN SECTION



END POST



MID POST



CORNER POST

Notes:

1. Installation to be completed in accordance with manufacturer specifications.
2. Do not scale drawings.
3. Contractor notes: For product and company information visit Regalaluminum.com

FRAMELESS GLASS WINDSCREEN SYSTEMS

Manufacturer: Regal Aluminum Windows and Railings

Project: General

Regal Product Reference: RRWSC0202

Drawing Type: Category

Drawing reference: RRWSC0202

Date: 29/08/2020



REGAL

177 Drumlin Circle, Concord, ON L4K 3E7
T. 905-738-4375 • 1-800-732-3339

regalaluminum.com | sales@regalaluminum.com